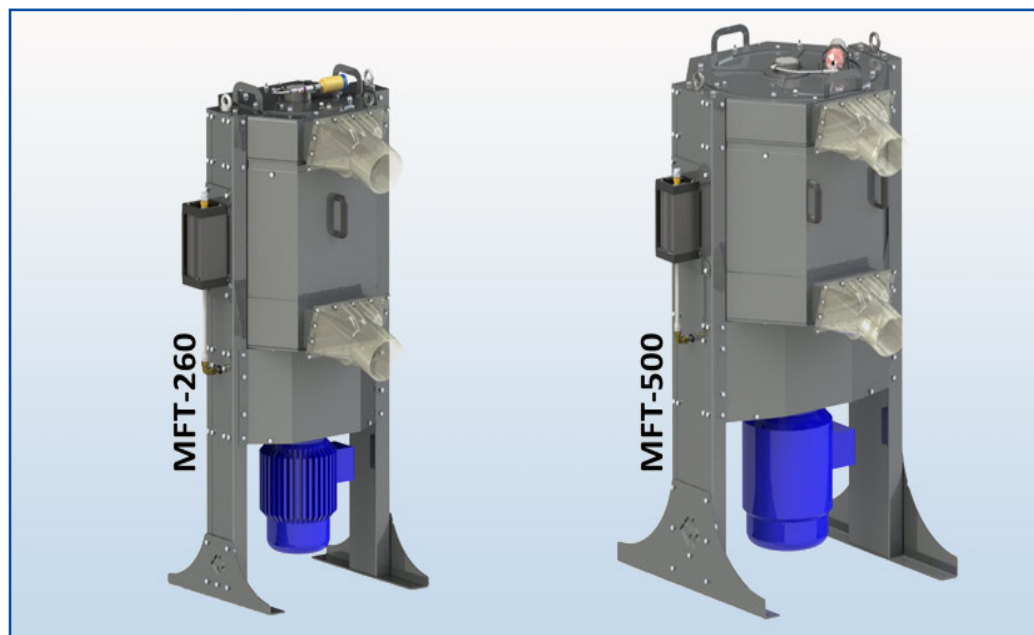


## MICRO FILTRATION

### SEPCOM MFT 260 AND 500 MICRO FILTER

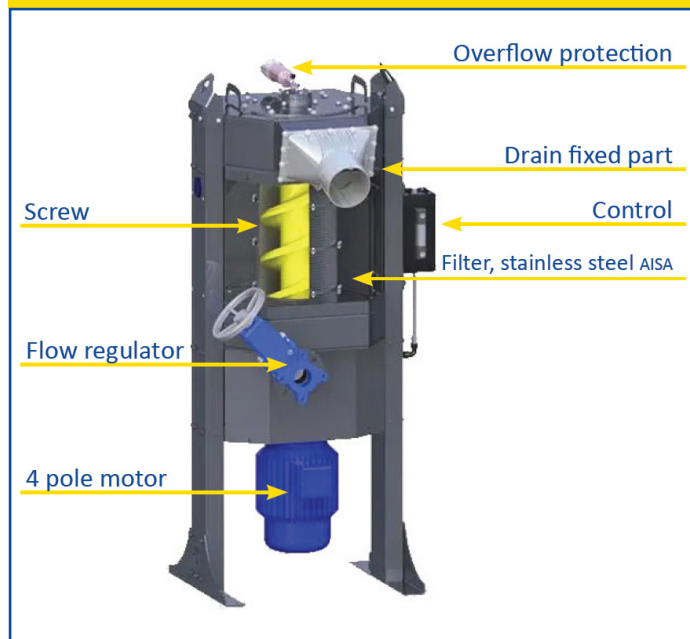


### Application

The SEPCOM MFT Microfilter consists of a motor that drives an auger through the fluid, so the thin parts are forced out through the filter and the solid parts are passed upwards through the upper part of the machine. The material, which needs to be treated, is introduced into the lower part. Capacity is adjusted as needed.

SEPCOM Microfilter MFT is specially developed for the treatment of separated liquids that have, for example, been through a screw press.

### MFT Mikrofilter



### Facts

- Long service life, filter for 25, 50 or 50 microns
- High filter efficiency
- Complete pump wheel in stainless steel
- Effortless installation and maintenance
- Max hydraulic flow 20 m<sup>3</sup> / h
- Low operating costs

### Supplements

- A cutting module combined with a stone catcher ensures a long service life
- Vacuum pump feeding process, controlled by PLC control