

MEDIUM PRESSURE PUMP DRY MOUNTED



Application

- Ideal for the management of wastewater in process plants
- Can be installed outdoors
- Pump housing is surface-treated cast iron, flange AISI 304
- The double mechanical seal allows the pump to run dry
- Vertical or horizontal installation
- Simple replacement of wearing parts

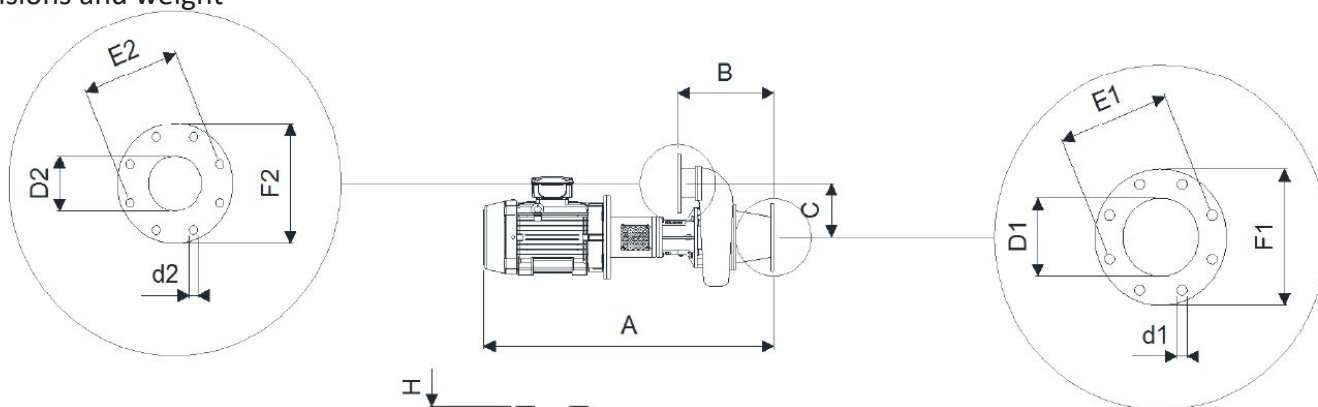
Supplements

- Heat galvanized base
- All Højgaard pumps can be delivered with Automare automatic fluid handling
- Stirring solution is recommended where the liquid has a high dry matter content
- We offer connection solutions in galvanized or stainless steel

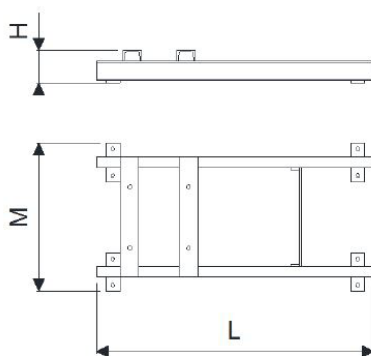
Model	RPM	HP	Q [l/s]	10	25	40	55	70	85	100	115
			Q [l/min]	600	1500	2400	3300	4200	5100	6000	6900
			Q [mc/h]	36	90	144	198	252	306	360	414
HM241440	1450	5,5	P [kW]	2,9	3,2						
			H [m]	9	7						
HM241455	1450	7,5	P [kW]	3,4	3,4	3,9					
			H [m]	12	10	7					
HM241575	1450	10	P [kW]	5,5	5,6	6	6,5				
			H [m]	11	10	8	6				
HM241511	1450	15	P [kW]	8	8,2	8,5	9	9,8			
			H [m]	15	13	11	9	7			
HM241515	1450	20	P [kW]	11	11,2	11,4	11,8	12,6	13,4		
			H [m]	20	18	16	13	10	7		
HM2416185	1450	25	P [kW]	14,6	14,7	14,8	14,8	14,9	15,7		
			H [m]	19	18	16	14	13	10		
HM241622	1450	30	P [kW]	16,3	16,6	16,7	16,7	17	17,8	19,2	
			H [m]	20	19	18	16	14	12	10	
HM2416300	1450	40	P [kW]	21,6	21,8	22	22,3	22,8	23,6	25	26,4
			H [m]	25	24	23	21	19	17	15	13

MEDIUM PRESSURE PUMP DRY MOUNTED

Pump
Dimensions and weight



Pump console
Dimensions and model no.



Model	D2 mm	D1 mm	A mm	B mm	C mm	E1 mm	F1 mm	d1 mm	E2 mm	F2 mm	d2 mm	H mm	M mm	L mm	Weight Kg.
HM24-1	100	150	935	365	200	240	285	N. 8-22	180	220	N. 8-18	115	480	900	135
HM24-2			1000												140
HM24-3	120	150	1180	415	225	240	285	N. 8-22	210	250	N. 8-18	135	615	1200	190
HM24-4			1280												210
HM24-5			1340												250
HM24-6	150	200	1395	430	250	295	340	N. 8-22	240	285	N. 8-22	135	615	1200	340
HM24-7			1435												360
HM24-8			1465												440