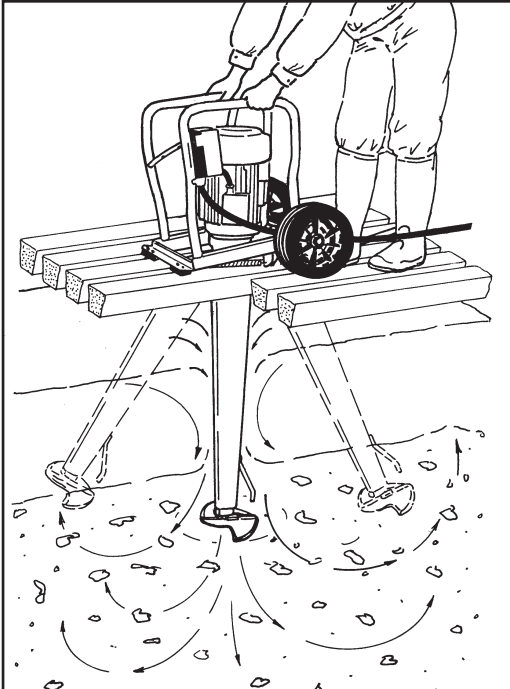




Højgaard

Slurry Mixer

HM-K



On engine start-up, the blades unfold and press the slurry down along the channel bottom, dissolving any crust

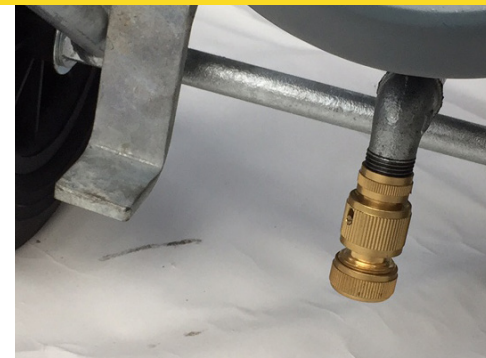
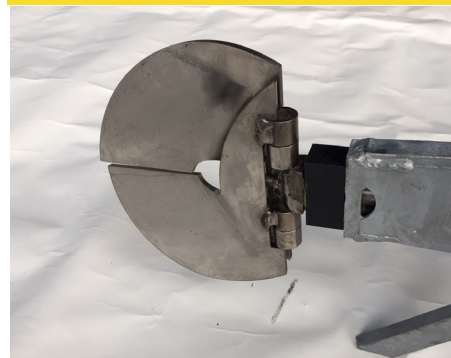


- To be used directly in the grooves
- Mobile for every area off the barn
- Adjustable in different angles
- Supplied complete with line circuit breaker
- Option; Also supplied with hydraulic motor
- Water supply above propeller

Specifications

Channel depth	65, 80, 95, 125, 150
Weight	88 kg
Groove size	3,0 x 60 cm
Engine	4.0 k.W. - 230/400 V - 1400 RPM
Capacity	Depends of homogeneity of the slurry

Water supply just above the propeller.
Faster homogenizing of the slurry



Fabjergkirkevej 51 • 7620 Lemvig • + DK • 45 97893012
www.hojgaards.dk • info@hojgaards.dk





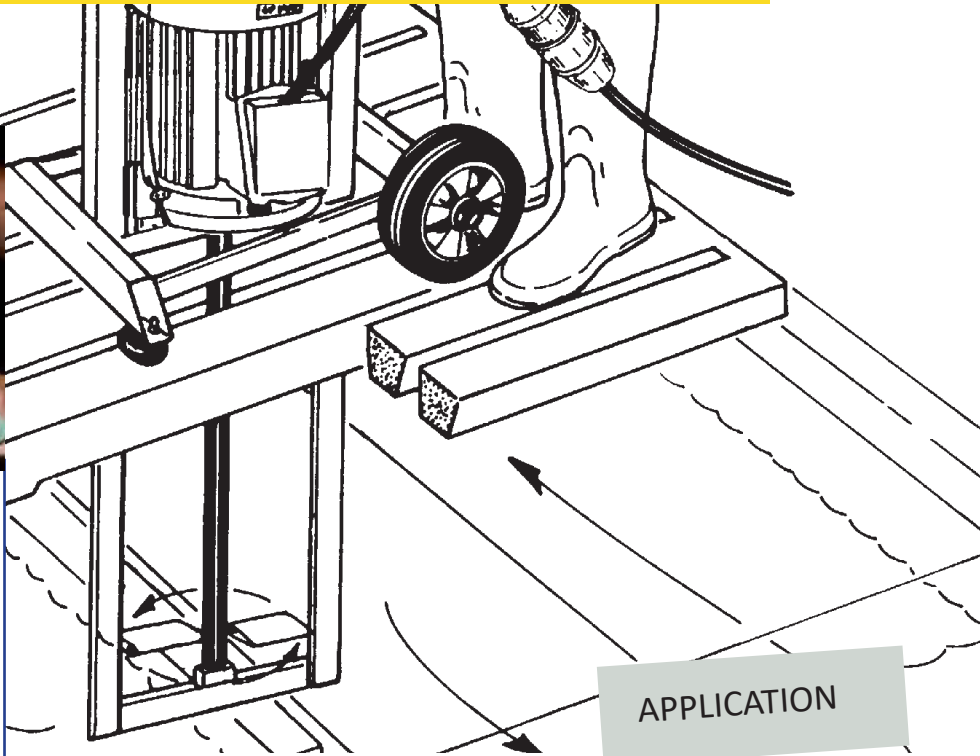
Højgaard

Slurry Mixer

HM-S



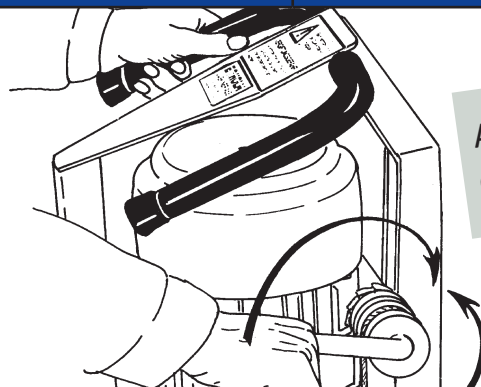
On the engine start-up the blades unfold and press the slurry down and along the channel bottom



- To be used directly through the slotted floor
- Mobile for every area of the barn
- Stepless depth adjustment
- Supplied complete with line circuit breaker

Specifications

Channel depth	65, 95 cm
Weight	65 kg
Groove size	1,6 x 30 cm
Engine	4.0 k.W. - 230/400V - 1400 RPM
Capacity	Depends of homogeneity of slurry



Available for 65 & 95 cm channel depth

Fabjergkirkevej 51 • 7620 Lemvig • DK • + 45 97893012
www.hojgaards.dk • info@hojgaards.dk

